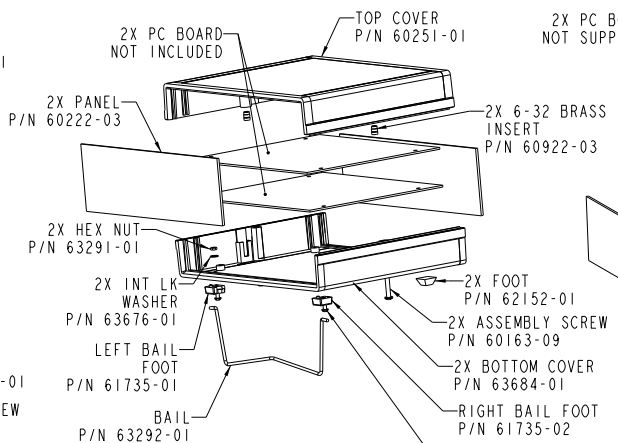
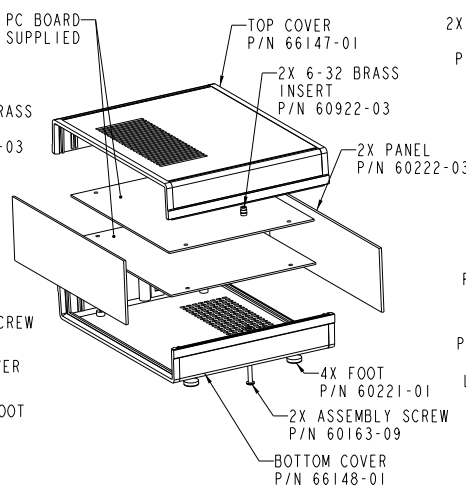


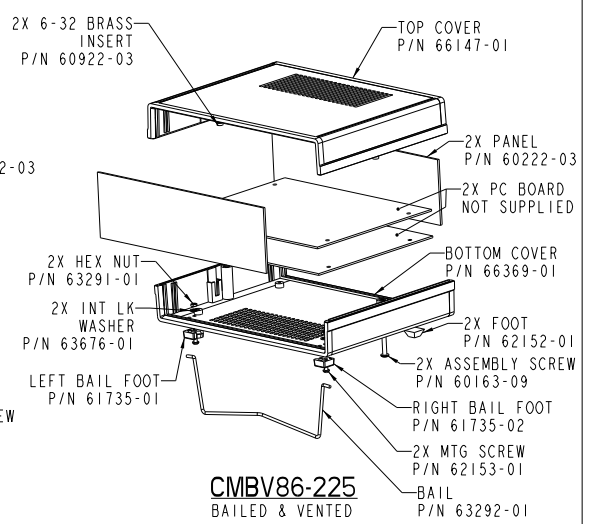
CM86-225
STANDARD



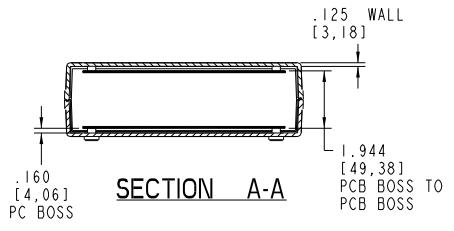
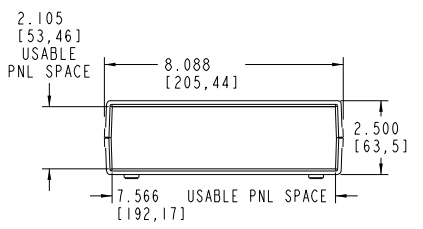
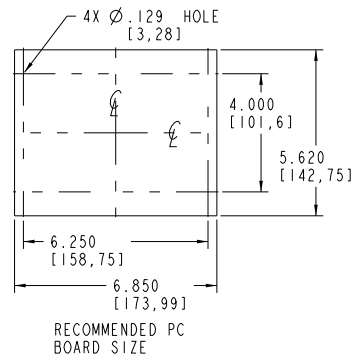
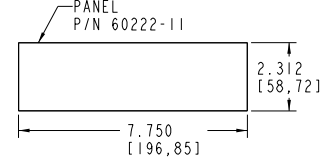
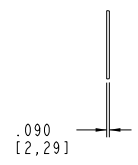
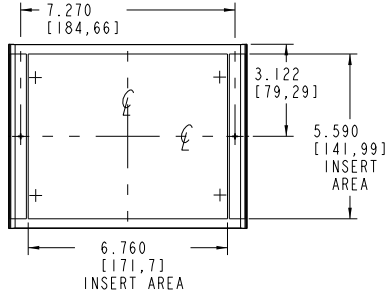
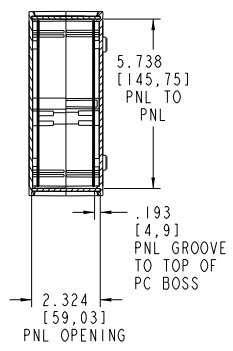
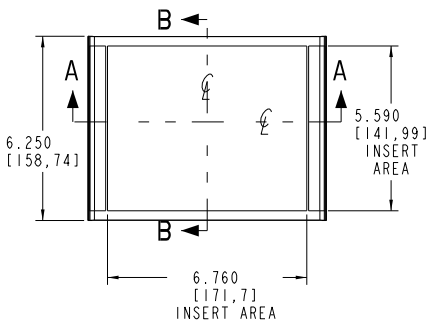
CMB86-225
BAILED



CMV86-225
VENTED



CMBV86-225
BAILED & VENTED



PACINTEC®
1-610-361-4200

CM86-225-SERIES

VISIT **PACINTEC®**
ON THE WORLD WIDE WEB
www.pactecenclosures.com

COLOR / MATERIAL CODE		
COLOR	94HB	94VO
BLACK	000	028
P. C. BONE	039	060

DRAWING NUMBER	REV
79354	A